



# SECTION E

## Hinged Door Hardware

Crest Locksets	E2 - E3
Optimum Locksets	E4 - E8
Lever Compression Lock	E9
Twin Bolt French Door Lockset	E10
Handle Sets	E11
Cylinders	E12 - 13
Securiturn	E14
Door Stops	E15

## Crest 4-Point Mortice Lock



Inspired by the beauty of the New Zealand environment, the Crest Hinged Door Handle offers a stylish and contemporary look while combining superior functionality.

The Crest range of furniture provides a cohesive appearance to the hardware on all doors and windows in the home.

### Application

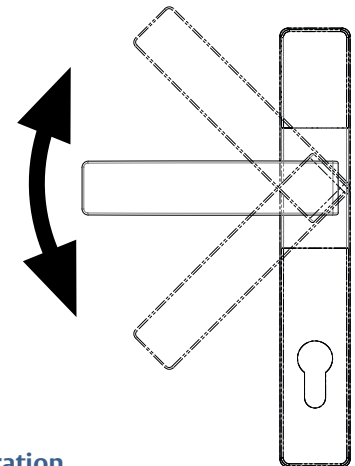
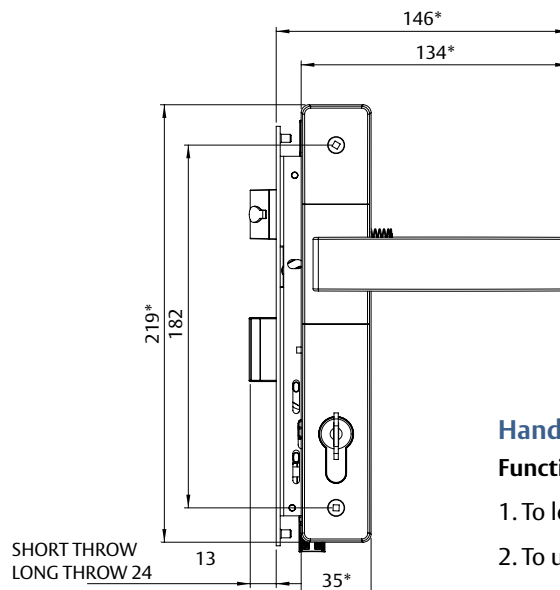
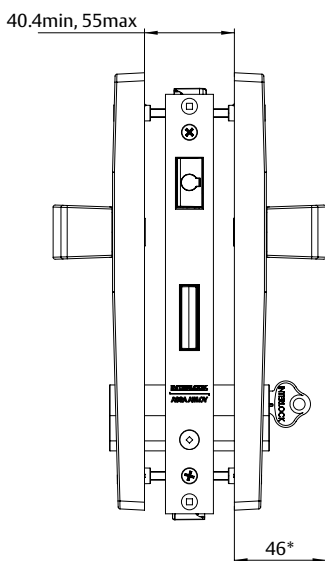
- Suitable for Residential, Architectural and Designer Thermal suites

### Features

- New Zealand designed and made
- Four points of locking
- Sequencing of locking points can be in any order (can be locked with or without shootbolts thrown)
- Can be keyed alike with other Crest hardware in the home for one key convenience
- When used with the correct strike the lock generates optimum seal compression to provide improved water and air seal performance, especially for large panel doors
- The handing of the lockset is adjusted by reversing the orientation of the latch bolt
- Standard kits are supplied with furniture and keyed cylinder
- Achieves Australian Standards AS4145: 1993 (Part 2) Security Level S2 and Durability Level D2

### Options

- Double cylinder, cylinder and turnknob, half cylinder or half turnknob
- Available in a wide range of powdercoat colours and satin chrome



### Handle Operation

#### Function

1. To lock - turn key towards edge of door
2. To unlock - turn key away from edge of door
3. To throw shootbolts - lift handle up and release lever (either when locked or unlocked)
4. To retract shootbolts, ensure lock is unlocked. Push lever down and release

\* Dimensions shown are specific to Crest lever. Other styles may vary.

## Optimum 4-Point Mortice Lock



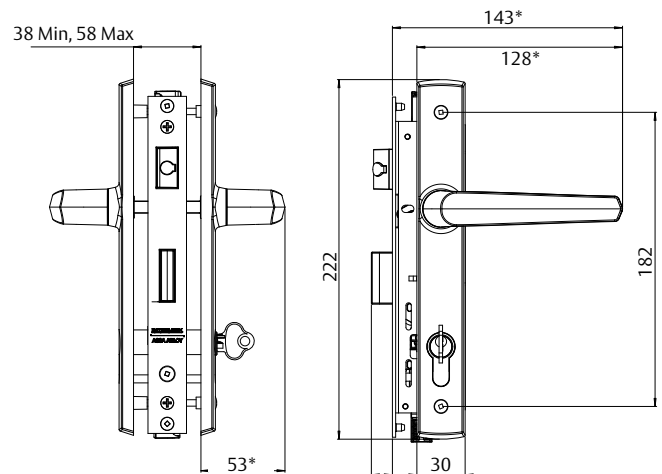
The Optimum Mortice Lock offers a new and improved locking system with enhanced furniture options available. When deadlocked, the Optimum 4-Point provides increased security with up to four points of locking. The shootbolt provides added security and seal compression, designed specifically for the New Zealand environment. See reverse for handle operation.

### Features

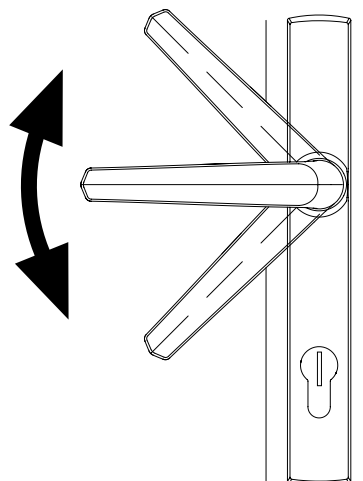
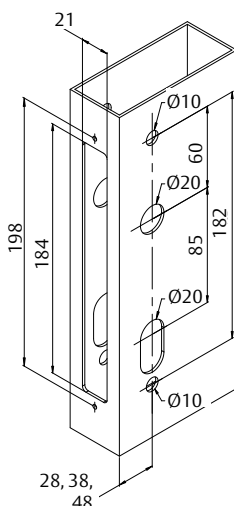
- Upgraded furniture option (Palladium Xtra) features LockAlert indicator which shows at a glance if the door has been deadlocked
- Upgraded furniture also comes with safety snib for at home security, enabling easy exit if required
- Features four points of locking including the latch, deadbolt and shootbolts
- Sequencing of locking points can be in any order (can be locked with or without shootbolts thrown)
- When used with the correct strike the lock generates optimum seal compression to provide improved water and air seal performance, especially for large panel doors
- The handing of the lockset is adjusted by reversing the orientation of the latch bolt
- Standard kits are supplied with furniture and keyed cylinder
- Can be keyed alike to other ASSA ABLOY CYL4™ 5-Pin locks for one key convenience
- Achieves Australian Standards AS4145: 2008 (Part 2) Security Level S6 and Durability Level D7
- New Zealand made

### Options

- Available with 30mm, 40mm or 50mm backset
- Short Throw 4-Point
- Long Throw 4-Point
- Available with standard Verona and Palladium furniture or upgrade to Palladium Xtra with LockAlert and safety snib
- Double cylinder, cylinder and turnknob, half cylinder or half turnknob



*\* Dimensions shown are specific to Aria lever. Other styles may vary.*



### Handle Operation

#### Function

1. To lock - turn key towards edge of door
2. To unlock - turn key away from edge of door
3. To throw shootbolts - lift handle up and release lever (either when locked or unlocked)
4. To retract shootbolts, ensure lock is unlocked. Push lever down and release

## Lever Compression Lock 4-Point



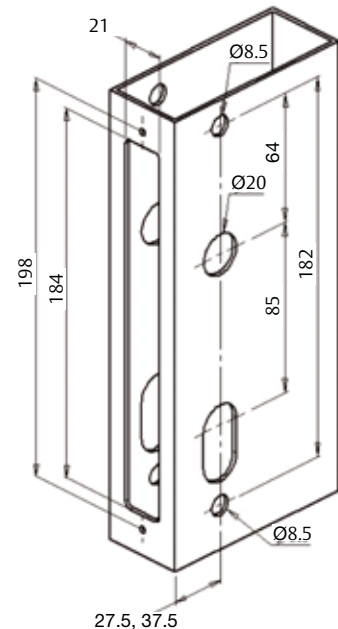
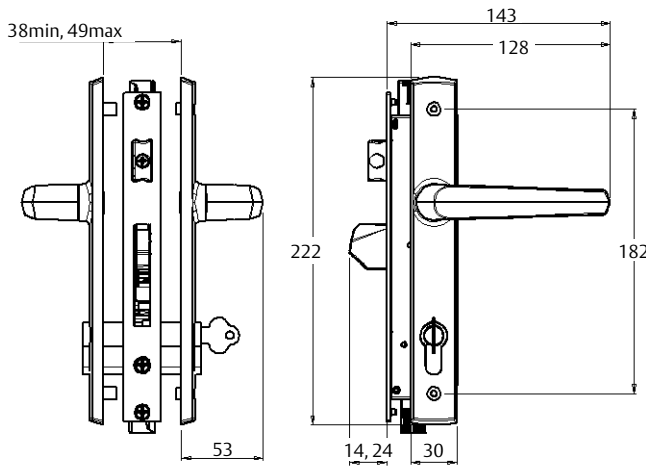
The Lever Compression Lock is a mortised, multipoint swing door lock, available in a 30mm or 40mm backset. The lift bolt and rods are driven off the latch actuating handle. This feature generates the compression required to provide the necessary water and air seal for large panels. Deadlocking is provided by a conventional key cylinder.

### Features

- Upward motion of the handle activates deadbolt, shoot bolts and remote mechanisms
- Unique deadbolt design increases seal compression upon activation
- Generates superior air and water performance
- Up to four locking points
- Handing easily changed with removable latch bolt
- Multiple handle styles available

### Options

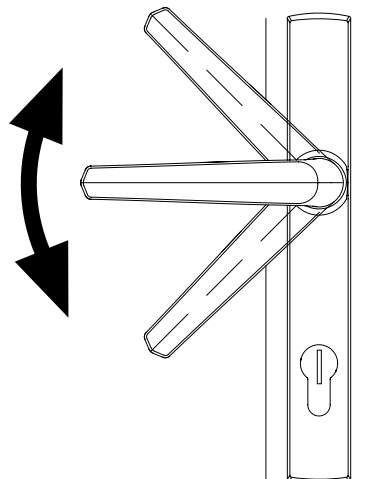
- 30mm backset with diecast zinc faceplate available in 13mm or 24mm bolt lengths
- 40mm backset with stainless steel faceplate available in 13mm bolt length



### Handle Operation

#### Function

1. To lock - turn key towards edge of door
2. To unlock - turn key away from edge of door
3. To throw shootbolts - lift handle up and release lever
4. To retract shootbolts, ensure lock is unlocked. Push lever down and release



## Palladium Door Handle Sets

The Palladium series is offered in eight lever styles. The handles have been created specifically for external doors with a long plate design which complements aluminium joinery. By having a range of levers, also available on other escutcheons within ASSA ABLOY's product range, customers can achieve a consistent look throughout the home by matching their internal and external door hardware.

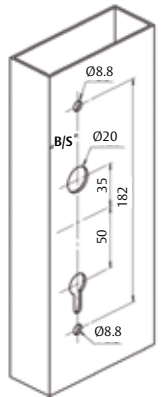
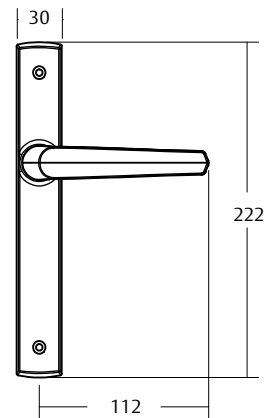
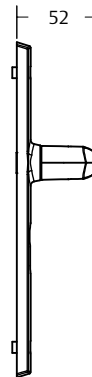
### Features

- Can be used with Optimum Lever Compression lock and Twin Bolt locksets plus Pinnacle Bi-fold and Pinnacle French Door locksets
- New springing detail improves feel and performance
- Non-handed
- Strong zinc die-cast construction
- Fixing details identical to Verona handles, ideal for replacement situations
- New Zealand made

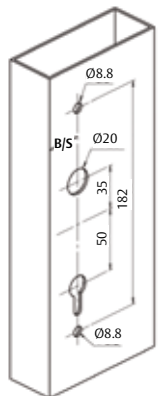
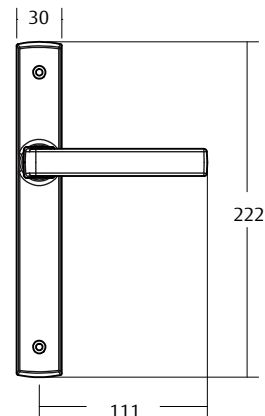
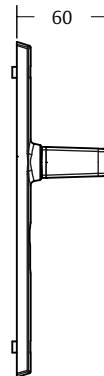
### Options

- Locking
- Non-locking
- Fixed (dummy)
- Available in a wide range of powdercoat colours and satin chrome finish

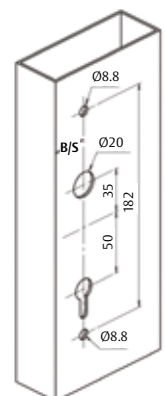
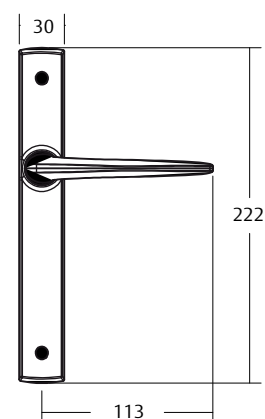
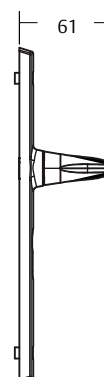
#### 1. Aria (27)



#### 2. Acacia (29)



#### 3. Summit (L1)



**Note:** B/S (backset): check relevant lock details for this dimensions